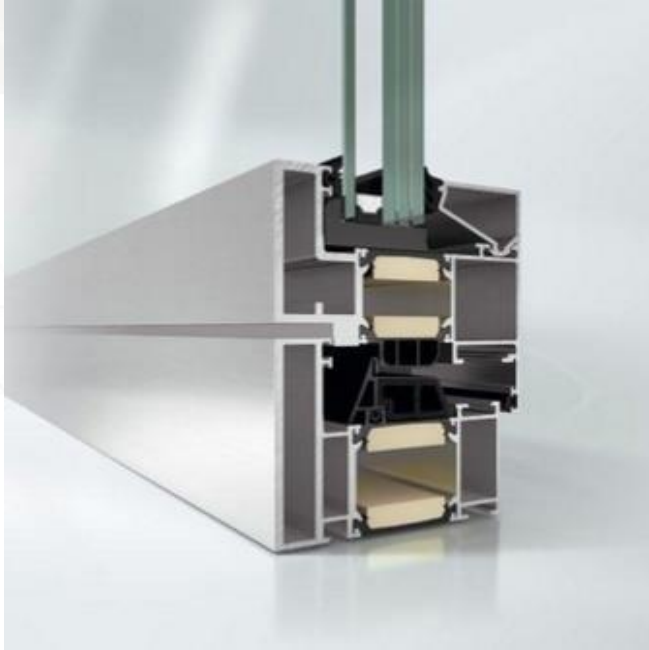


ALUMINIUM FRAMES, FAÇADES AND SKYLIGHTS



BURGLAR RESISTANT AND BULLET-PROOF SECURITY SYSTEMS

BURGLAR RESISTANT AND BULLET-PROOF SECURITY SYSTEMS



Schüco AWS 90 BR



Schüco ADS 90 BR

It is becoming increasingly important to protect people and property in embassies, police stations, banks and private households.

With the BR (bullet resistance) product range, Schüco offers flexible system solutions for windows, doors and façades with burglar resistant and bullet-resistant requirements.

The construction is based on the Schüco AWS and ADS standard series.

In addition to the profiles, fittings and accessories, the system also includes the SchücoProtect system glass.

With the BR range of products, Schüco is providing system solutions for WK4 burglar resistance and FB4 bullet resistance.

BURGLAR RESISTANT AND BULLET-PROOF SECURITY SYSTEMS

The Schüco system solutions for increased security have been designed with one key consideration in mind: the external look is retained because the protection mechanisms are integrated predominantly inside the units.



Burglar-resistant windows, doors and façades from Schüco were comprehensively tested for their security. All the individual components are perfectly tailored to one another.

Test certificates and classification demonstrate the product quality in terms of security. The product range is supported by the relevant system approvals, which summarize the system properties for the CE marking.

System tests for:

- **Bullet resistance** in accordance with DIN EN 1522 a FB4 (S/NS).
- **Burglar resistance** in accordance with DIN EN 1627 a RC4 (WK 4).
- **CE marking** in accordance with EN 14351-1 for Windows and doors for external use and for curtain walling in accordance with EN 13830.

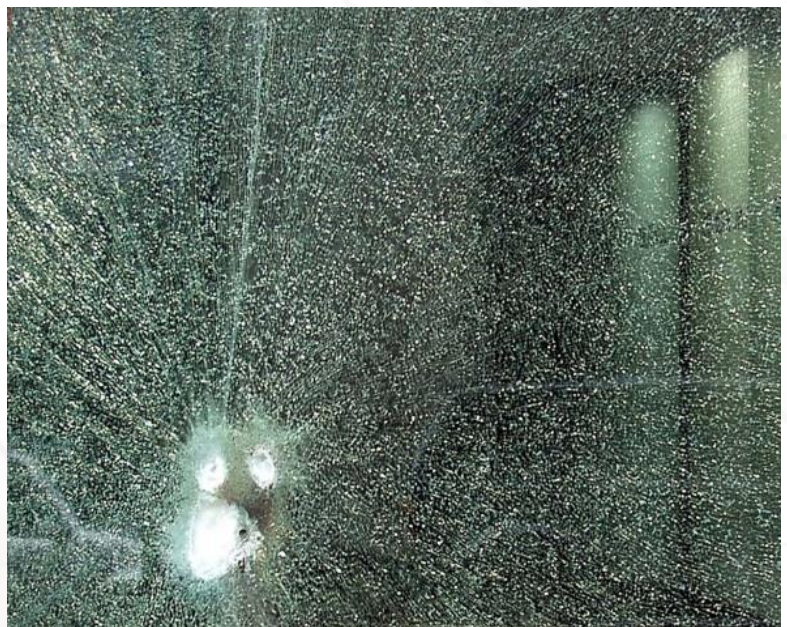
SCHÜCO WINDOW AWS 90 BR

With the AWS 90 BR window system, Schüco offers system solutions for burglar resistance up to security class RC4 in accordance with EN 1627-1630 or for bullet resistance up to FB4 in accordance with EN 1522. This creates the option of combining these properties.

Visually, the uniform profile face widths make this system indistinguishable from the standard window series.

Product benefits

- Burglar resistance up to security class RC4 in accordance with EN 1627-1630.
- Bullet resistance up to class FB4 in accordance with EN 1522.
- Combination of both features to achieve RC4/FB4 security class.
- Corner and panel solution certified up to FB4.
- Surface finishing without restriction.
- Schüco system benefits are retained, e.g. weather tightness, sound reduction and thermal insulation.
- Schüco AvanTec (concealed fitting) – vent weight up to 160Kg (352 lbs).
- Crank-operated turn/tilt fitting (surface mounted) – vent weight up to 200 Kg (440 lbs).
- Schüco Protect safety glass must be used as a system component.
- AWS 90 BR $U_f=1,64W/m^2K$.



SCHÜCO DOOR ADS 90 BR

The Schüco ADS 90 BR door system supports bullet-resistant and burglar-resistant requirements up to class RC4 and FB4 for single-leaf and double-leaf doors. A further plus is that these requirements can be fulfilled with both outward-opening and inward opening doors.



Schüco door ADS 90 BR RC4, burglar resistance



Schüco door ADS 90 FB4, bullet resistance

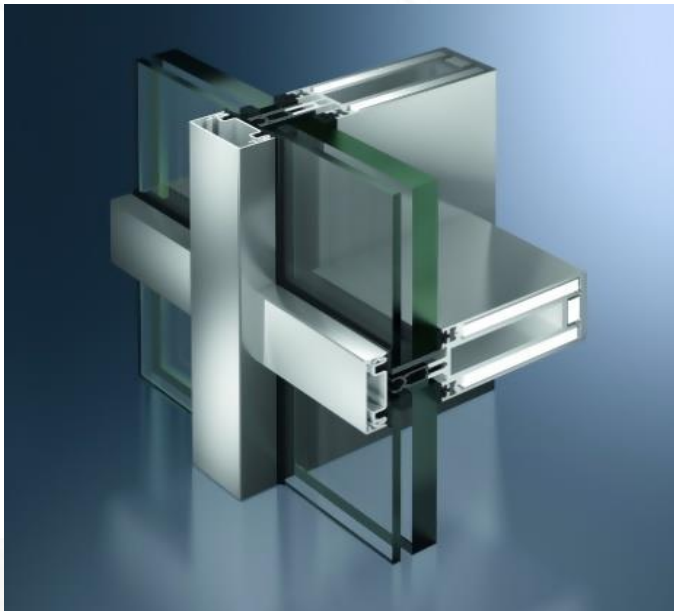
Product benefits

- Burglar resistance up to security class RC4 in accordance with EN 1627-1630.
- Bullet resistance up to class FB4 in accordance with EN 1522.
- Combination of both features to achieve RC4/FB4 security class.
- Corner and panel solution certified up to FB4.
- Schüco Protect safety glass must be used as a system component.
- Also available in combination with FB4 as an emergency exit door with EN 1125.
- Vent weights up to 300 Kg (660 lbs).
- System approval for Schüco ADS 90 BR
- $U_f=1,7 \text{ W/m}^2\text{K}$.

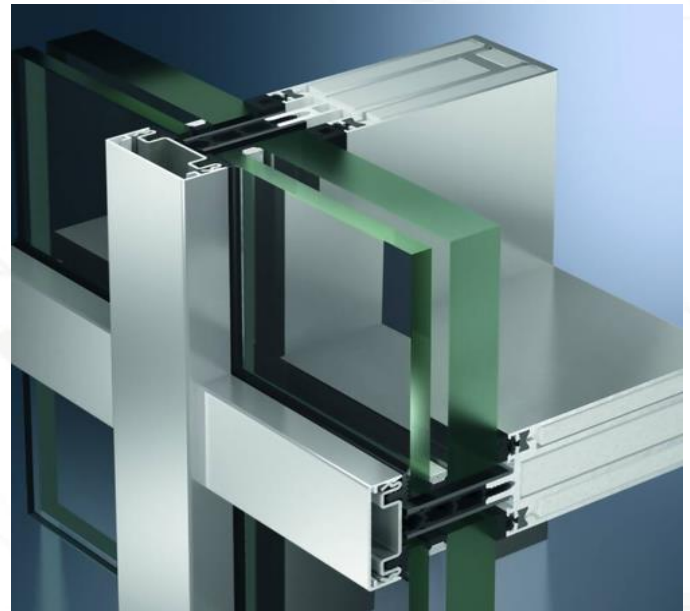
SCHÜCO FAÇADE SYSTEMS FW 50+ BR / FW 60+ BR

Schüco offers system solutions up to class FB4 with the FW 50+ BR / FW 60+ BR façade systems. Visually, these can be integrated seamlessly thanks to cover caps from the FW 60+ standard system. In addition to bullet-resistant properties, burglar-resistant requirements up to RC3 can be fulfilled easily (RC4 on request).

The option of integrating AWS / ADS 90 BR as insert units in FW 50+ / 60+ BR rounds off the overall product portfolio for burglar resistance and bullet resistance.



Façade Schüco FW 50+BR, burglar resistance



Façade Schüco FW 60+BR, bullet resistance

Product benefits

- Burglar resistance up to security class RC4 in accordance with EN 1627-1630.
- Bullet resistance up to class FB4 in accordance with EN 1522.
- Combination of both features to achieve RC4/FB4 security class.
- Identical appearance and same profile range as Schüco FW 50+ / FW 60+.
- Conventional insulation options from the standard range are available.
- Glass loads up to 700Kg (1540 lbs).
- Schüco Protect safety glass must be used as a system component.

REGULATIONS AND GUIDELINES

- EN 14351-1
Windows and doors – Product standard, performance characteristics: Windows and external pedestrian door sets without resistance to fire and/or smoke leakage characteristics
- EN 13830
Curtain walling – Product standard.
- EN 1627-1630
Series of standards for burglar resistance (test procedure, classification)
- EN 356
Special security glazing.
- EN 1522
Bullet resistance Windows, doors and closers.
- EN 1063
Bullet resistant special glazing.